



ČZ a.s. – Division TURBO

Engineering tradition since 1919

Catalogue list

Turbo Replacement

VEHICLE:

MERCEDES BENZ

ENGINE

OM422A/LA ; OM442A

APPLICATION

TRUCK, BUS 19.33/O303/O305

OE TURBO P/N

5327-971-6206

Turbo model: KKK K27-3262MGB20.22GNADD

ČZ TURBO P/N

C23-290-01

Engine:

OM422A/LA
OM442A

Displacement:

14.62 L

Performance:

243/258/276 kW

Year:

1987

Weight:

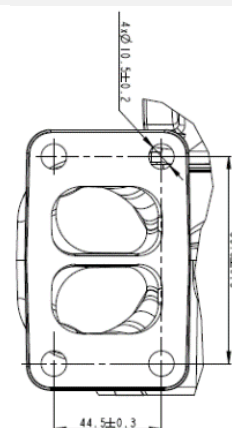
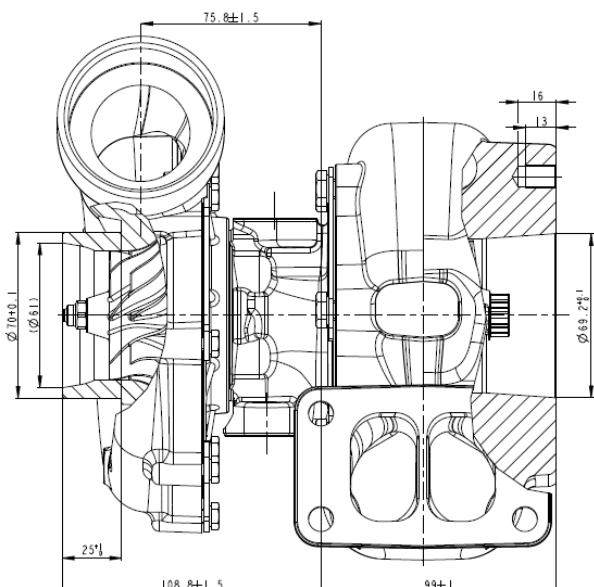
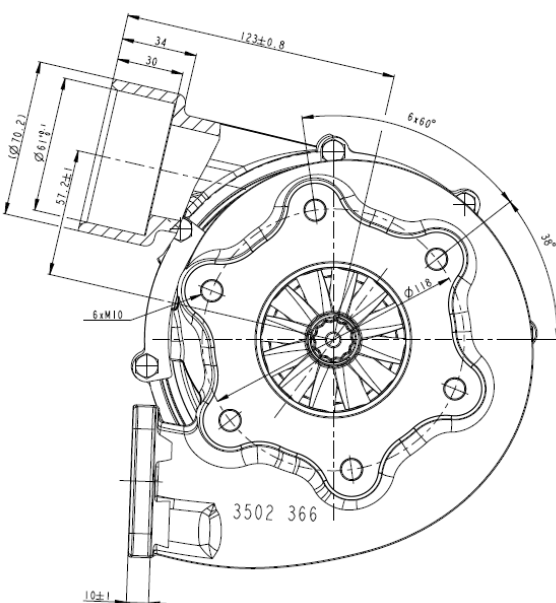
10.8 kg

✓ Journal bearings

✓ Oil-cooled bearing housing

✓ Robust design

✓ Made in Czech Republic



www.czas.cz
czturbo@czas.cz



Official dealer for EUROPE

SPECIAL TURBO